

**Centre for Ganga River Basin Management and Studies**  
**Indian Institute of Technology Kanpur**  
**Kanpur (UP) 208016 India**

Enquiry date: August 1, 2022

Enquiry No: IITK/EEM/2022-23/02

**CORRIGENDUM - I**

Please note the modifications in the specifications, Terms and Conditions and the dates with respect to the earlier enquiry dated June 27, 2022.

**Closing Date: 08/08/2022**

**Opening Date: 09.08.2022**

Interested parties are invited to submit their bids duly signed and stamped as per two bid systems i.e, Technical Bid and Financial Bid separately in two different sealed envelopes. The envelopes shall be neatly labeled as "Technical Bid" and "Financial Bid" and put inside a bigger sealed envelope which shall be superscribed with the words "Office Furniture items & allied services for cGanga-Outreach Office, Delhi" and addressed to "The Head, Centre for Ganga River Basin Management and Studies (cGanga), WL-116, Western Laboratories, IIT Kanpur, Kanpur – 208016, Uttar Pradesh".

**Details of required Items/Services**

<b>S.No.</b>	<b>Specifications</b>	<b>Quantity (In No.)</b>
<b>1.</b>	<b>Conference Table</b> <ul style="list-style-type: none"><li>● Size: 4 ft x 12ft</li><li>● Sitting Capacity: 12</li><li>● Material (Structure): Teak Wood (well-seasoned)</li><li>● Material (Tabletop): Water-Proof Plywood with 1mm mica on top and paint in bottom side</li><li>● Electrical sockets (12 No.s)</li><li>● Side beading and structure: Natural Polish</li><li>● Representative Drawing: Refer Annexure 1</li></ul>	<b>01</b>
<b>2.</b>	<b>Working Platforms (PC)</b> <ul style="list-style-type: none"><li>● Size: 4' x 1'-6" x 2'-6" (LxWxH)</li><li>● Sitting Capacity: 02</li><li>● Material: Water-Proof Plywood with 1mm mica on top and paint in bottom side</li><li>● Electrical Switch/sockets: 04 No.s</li><li>● Representative Drawing: Refer Annexure 2</li></ul>	<b>04</b>
<b>3.</b>	<b>Book Shelves / Room Partitions</b> <ul style="list-style-type: none"><li>● Size: 10' x 14" x 7' (LxWxH)</li><li>● Material: Water-Proof Plywood with 1mm mica on both sides</li><li>● Representative Drawing: Refer Annexure 3</li></ul>	<b>02</b>

S.No.	Specifications	Quantity (In No.)
4.	<b>Digital Screen Platform with Drawers</b> <ul style="list-style-type: none"> <li>• Size: 14' x 2'6" x 2'-6" (LxWxH)</li> <li>• Material: Water-Proof Plywood with 1mm mica on both side</li> <li>• Representative Drawing: Refer Annexure 4</li> </ul>	01
5.	<b>Computer Tables (L-Shape)</b> <ul style="list-style-type: none"> <li>• Size: 3' x 2' x 2'-6" &amp; 4' x 2' x 2'-6"</li> <li>• Material: Water-Proof Plywood with 1mm mica on top and paint in bottom side</li> <li>• Representative Drawing: Refer Annexure 5</li> </ul>	02
6.	<b>Miscellaneous Polish and Painting</b> <ul style="list-style-type: none"> <li>• Rates to be quoted in PerSqFt</li> </ul>	-

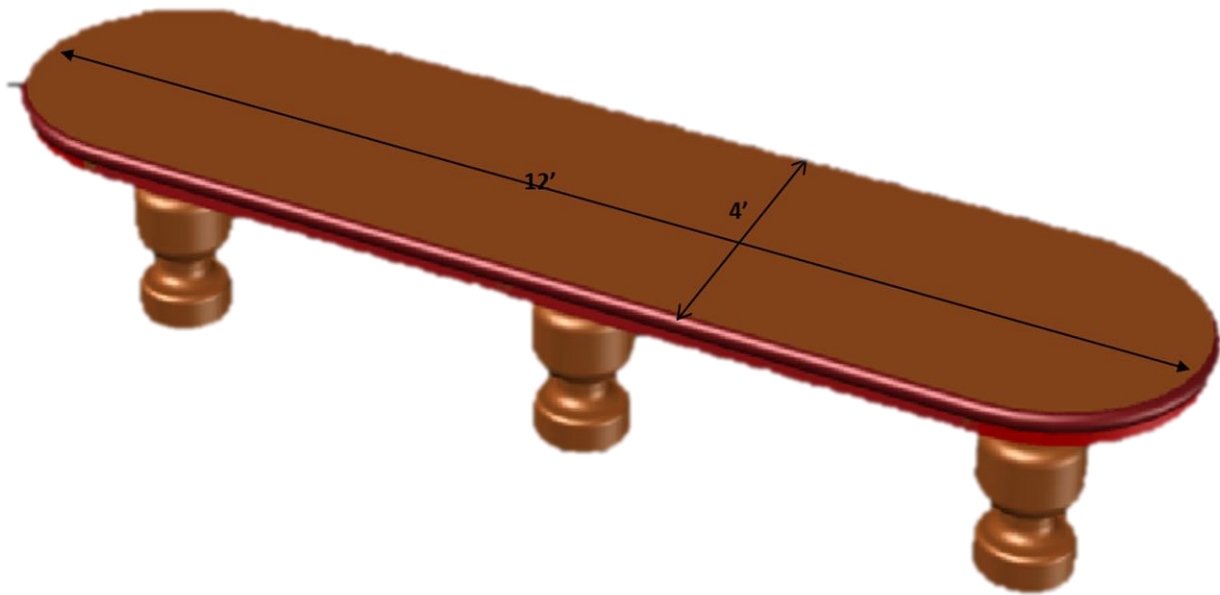
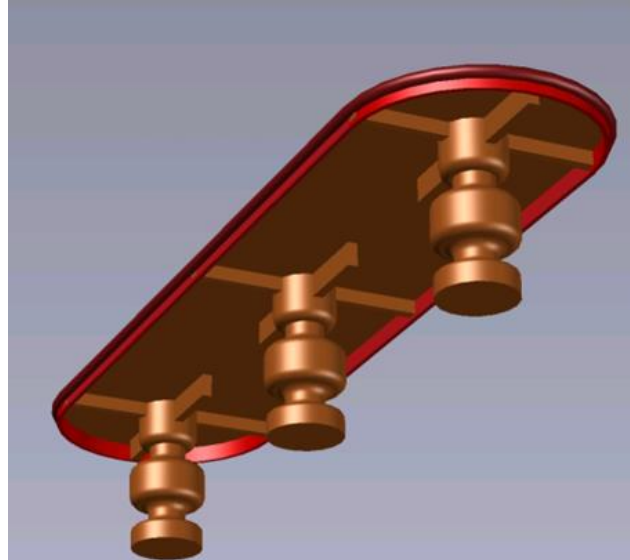
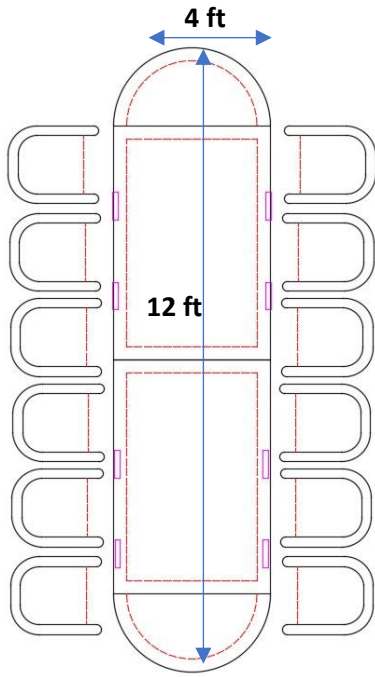
**Delivery Schedule:** The mentioned job is to be completed within 30 days from the receipt of Work-Order.

**Note: Prospective bidders are advised to bid as per following Terms and Conditions:**

1. Bidders are advised to visit the institute during office hours to see the quality and standards of required furniture before submitting the bid.
2. The brand name & sample piece of the Water-Proof Plywood, Mica are to be presented in the Technical bid. Bids without samples will not be entertained.
3. Only Branded Water-Proof Plywood (5-Ply) boards will be considered. Particle Boards, MDF, MR-MDF, Fibre Board and other equivalent boards will not be considered.
4. Bidders are advised to quote for all items (S No. 1 – 6). Incomplete or bids for only selected items will not be considered.
5. The selected firm have to show the raw material (i.e. Wood, Ply Wood, Mica etc.) before execution of the work. IIT Kanpur will have all the rights to check the quality of work time-to-time during execution.
6. IIT Kanpur will have all the rights to cancel the work order anytime during the execution, if not satisfied with the quality of work.
7. No advance / part payment request will be entertained. 100% payment will be made only after inspection, delivery and acceptance of items at the site.
8. IIT Kanpur will have all the rights to increase or decrease the quantity of items mentioned in the inquiry document.
9. Preference will be given to Carpentry Firms willing to work On-Site (i.e. cGanga Outreach Office at East of Kailash, New Delhi)
10. Pictures of the articles shown in annexure are indicative. Final working-drawings will be provided to the selected firm with work-order.

# Annexure 1

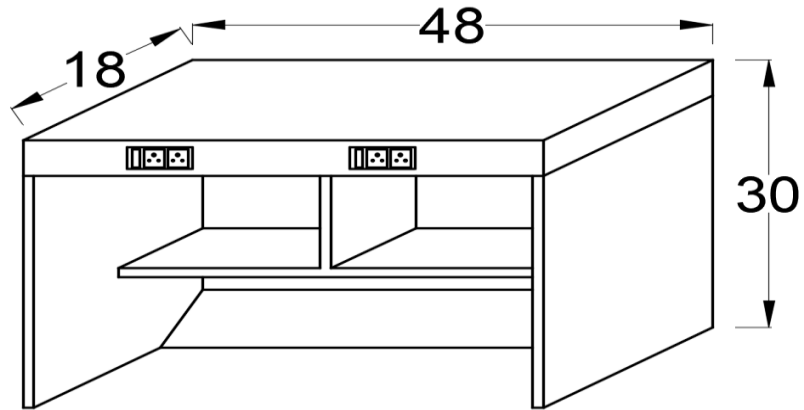
## Conference Table



## Annexure 2

### Working Platforms (PC)

[ 04 Numbers ]

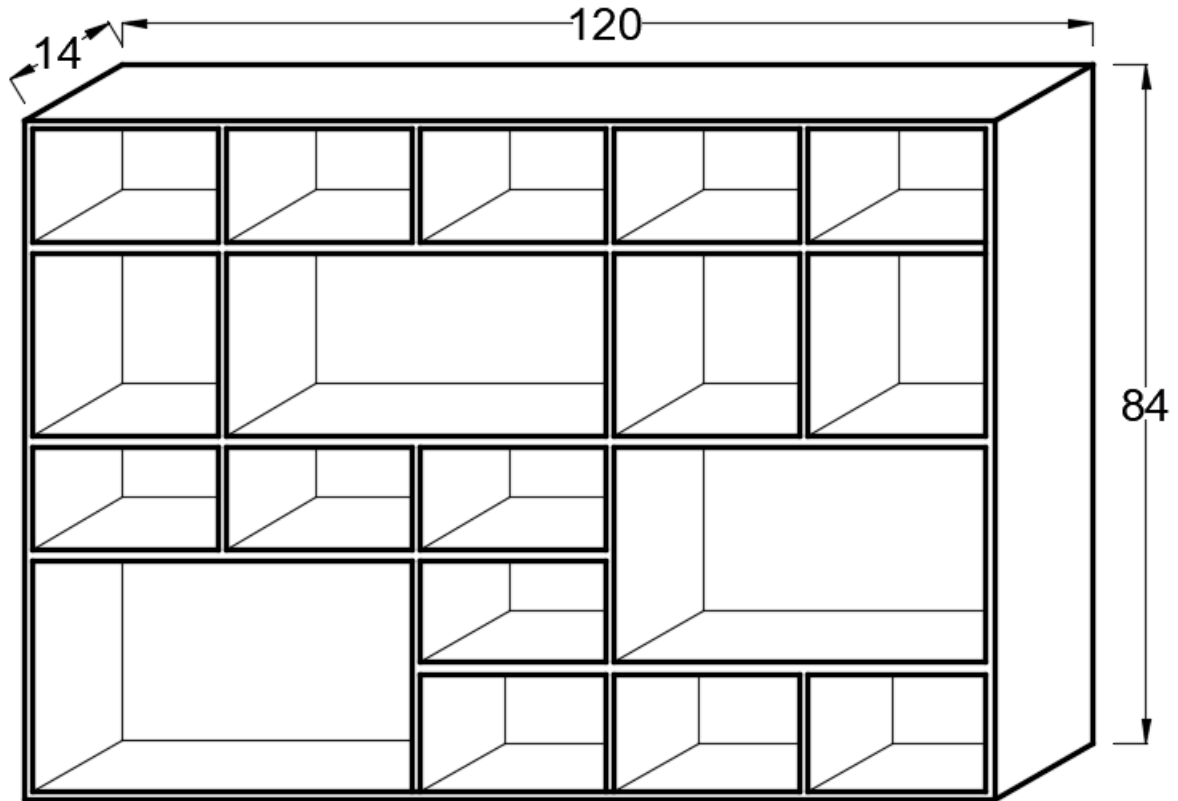


All dimensions are in inches

### Annexure 3

#### Book Shelves / Room Partitions

[ 02 Numbers ]

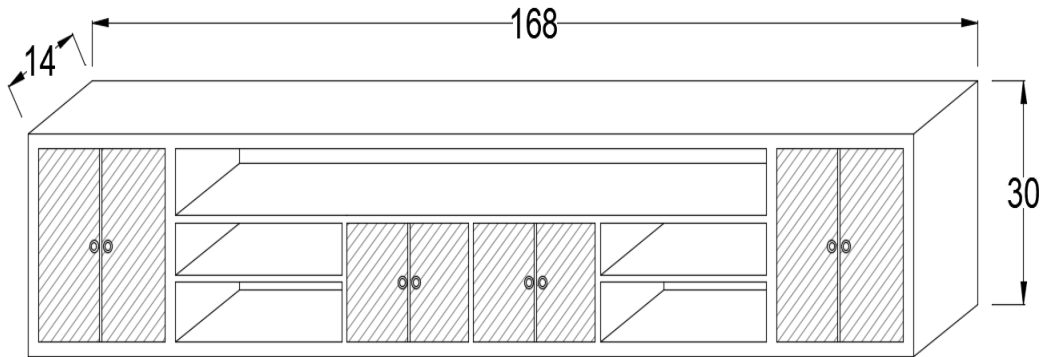


All dimensions are in inches

## Annexure 4

### Digital Screen Platform with Drawers

[ 01 Number ]

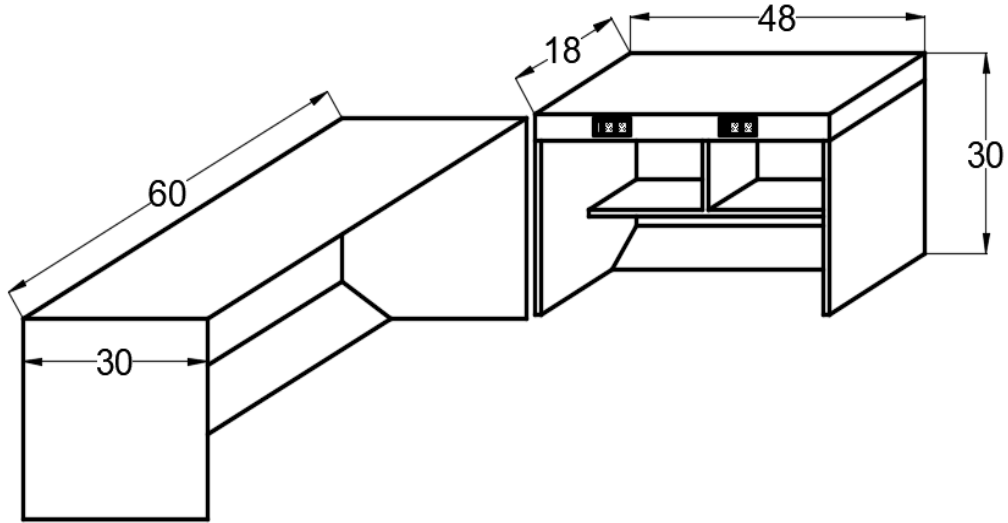


All dimensions are in inches

## Annexure 5

### Computer Table (L-Type)

[ 02 Number ]



All dimensions are in inches