

## Certificate of Calibration

### Product Identification

Serial Number: L11256900

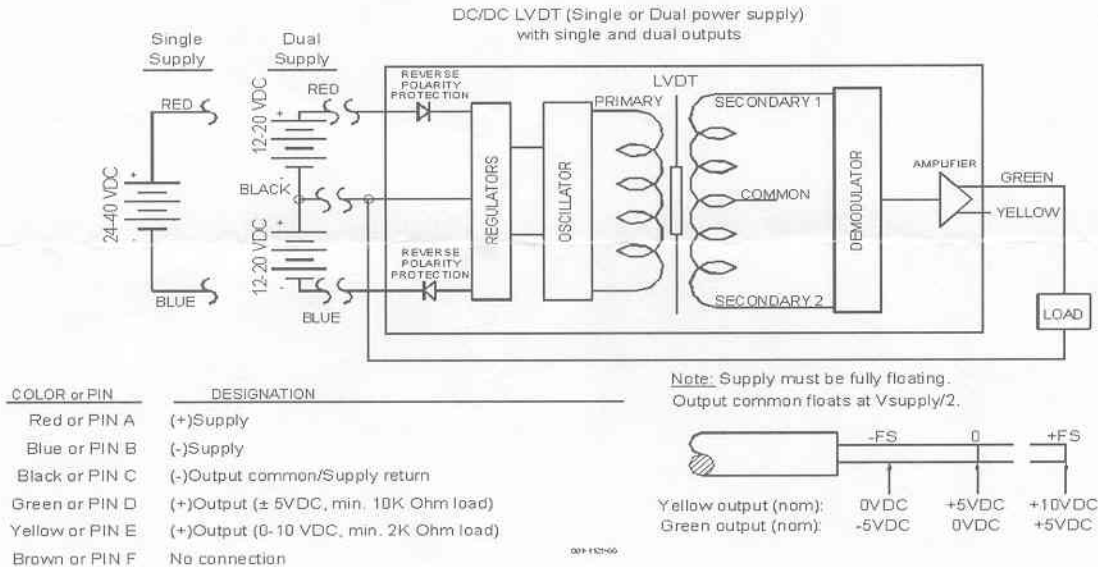
Model: JEC-AG  
 Part Number: 060-H032-03  
 Order Code: AY322HR

### Calibration Information

Full Scale Range: +/- 2 INCHES  
 Calibration Factor: 2.4590 V/INCH  
 Calibration Date: 02/22/2008

Supply: 40 VDC  
 Linearity: 0.15 %

### Wiring Code



Notes: Instruments used in the calibration of this product have been calibrated to standards traceable to the National Institute of Standards and Technology (NIST). A calibration uncertainty ratio of 4:1 has been maintained unless otherwise stated.

If you have any questions concerning this certificate of calibration, or for recalibration or repair of this product, please visit our website at <http://www.sensotec.com/service.htm> or call our service department at (614) 850-5000.

This is a quality record.

Approved and Certified By: Eszter Gozon  
 Eszter Gozon, Quality Manager