

# Certificate of Calibration

## Product Identification

Serial Number: L11256800

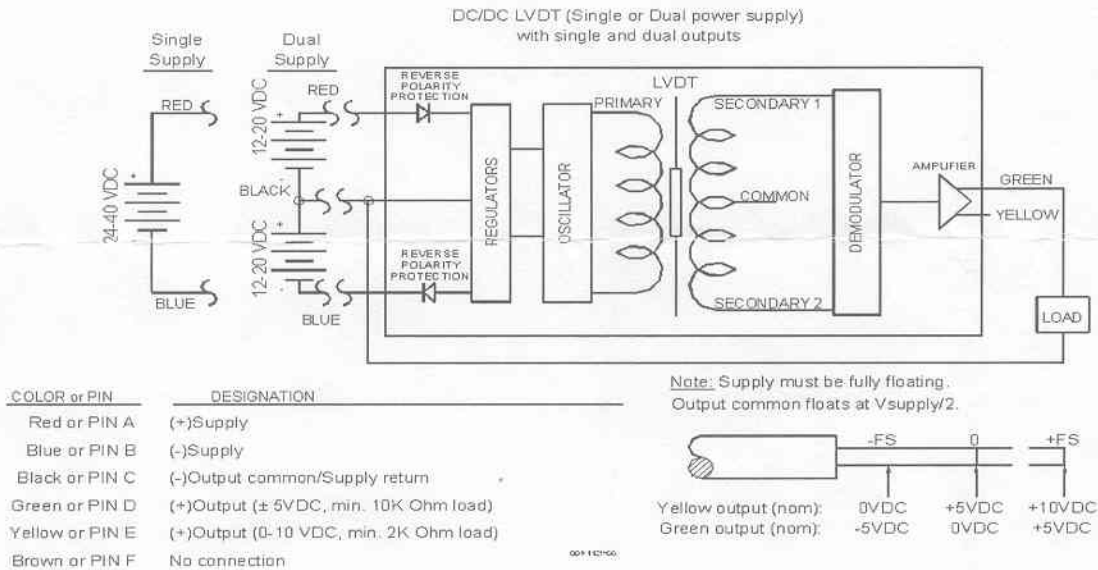
Model: JEC-AG  
Part Number: 060-H032-03  
Order Code: AY322HR

## Calibration Information

Full Scale Range: +/- 2 INCHES  
Calibration Factor: 2.4990 V/INCH  
Calibration Date: 02/22/2008

Supply: 40 VDC  
Linearity: 0.08 %

## Wiring Code



*Notes: Instruments used in the calibration of this product have been calibrated to standards traceable to the National Institute of Standards and Technology (NIST). A calibration uncertainty ratio of 4:1 has been maintained unless otherwise stated.*

*If you have any questions concerning this certificate of calibration, or for recalibration or repair of this product, please visit our website at <http://www.sensotec.com/service.htm> or call our service department at (614) 850-5000.*

*This is a quality record.*

Approved and Certified By: Eszter Gozon  
Eszter Gozon, Quality Manager