



Indian Institute of Technology Kanpur

Samtel Centre for Display Technologies

Enquiry number: SCDT/FlexE/2016-17/07

Date:19/05/2016

Sealed Quotations from prospective vendors are invited by Samtel Center for Display Technologies, IIT Kanpur for **Custom made clean room compatible stainless steel tables & trolleys**. Detailed specifications, term and conditions and lay out of the furniture are mentioned below:

Note: **The technical and financial bid should be submitted together in separately sealed envelopes. The Custom made clean room compatible stainless steel tables & trolleys** must have following minimum technical specifications.

TECHNICAL SPECIFICATIONS

Design 1: Stainless steel table with granite top

Quantity: 3 nos.

Description:

Stainless steel table consisting of

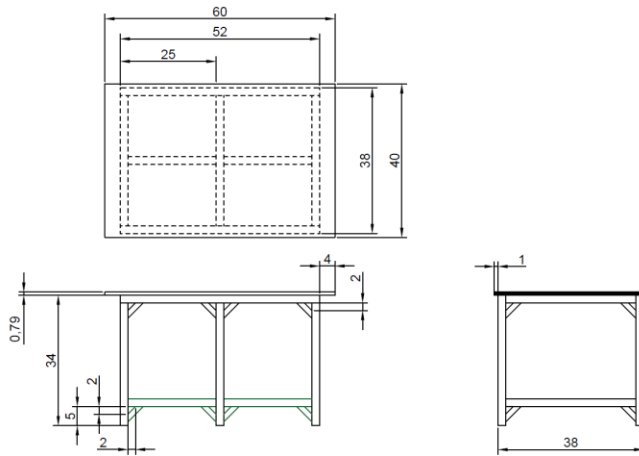
1. A granite table-top 60" x 40" made of 20mm thick black granite polished on the top side with edges and corners rounded.
2. A stainless steel frame of 52" x 38" x 34" (l x w x h).
 - a. The frame will be constructed of 2" x 2" stainless steel 304 pipe with square cross-section and 2mm wall thickness.
 - b. Design of the frame is attached.
 - c. Diagonal supports at the corners should be made of 2" broad 2mm thick SS304 bars.
 - d. Height of the frame will include stainless steel levelling screws in fully screwed position (least extension)
 - e. One long side (front side) will be not have the lower cross bar (shown in green in the drawing) so as to accommodate the trolley from design 3 under the table.

The table will be capable of bearing equipment up to 500kg and sustain shock of lateral movement.

The table will be built to be vibration free and provide stability and support for machine operation.

Levelling screws will be able to sustain above weight and stability requirements.

Design 1



ALL DIMENSIONS IN "INCHES"

DESIGN 1 : S.S. TABLE (60 X 40)

Design 2: Stainless steel table with granite top

Quantity: 2 nos.

Description:

Stainless steel table consisting of

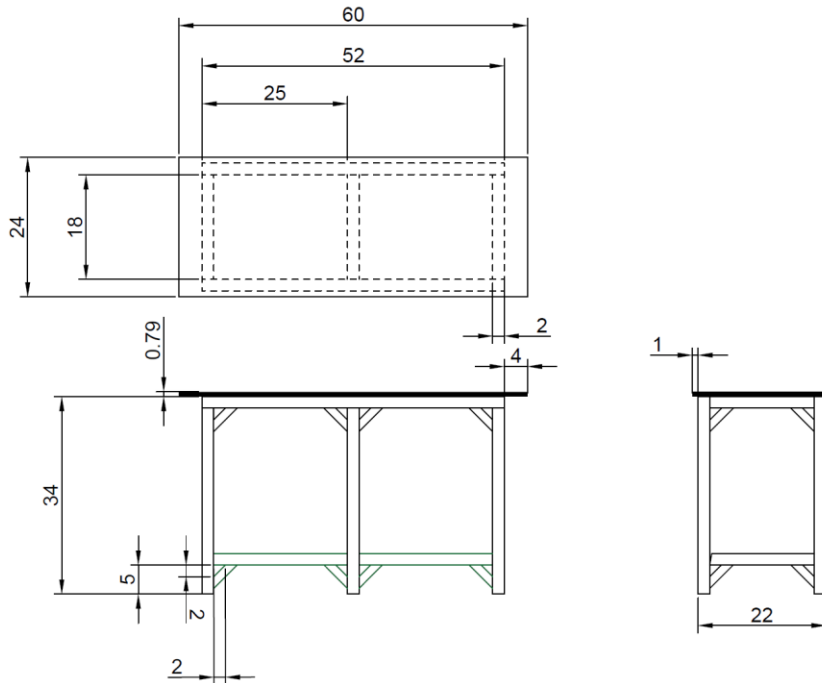
1. A granite table-top 60" x 24" made of 20mm thick black granite polished on the top side with edges and corners rounded.
2. These tables are intended to be connected together to form one long table. Appropriate sides will be left flat (not rounded) and arrangement will be made to fill up the gap with a suitable adhesive. Sufficient quantity of adhesive will be provided by manufacturer.
3. A stainless steel frame of 52" x 22" x 34" (l x w x h).
 - a. The frame will be constructed of 2" x 2" stainless steel 304 pipe with square cross-section and 2mm wall thickness.
 - b. Design of the frame is attached.
 - c. Diagonal supports at the corners should be made of 2" broad 2mm thick SS304 bars.
 - d. Height of the frame will include stainless steel levelling screws in fully screwed position (least extension).
 - e. One long side (front side) will be not have the lower cross bar (shown in green in the drawing) so as to accommodate the trolley from design 3 under the table.

The table will be capable of bearing equipment up to 500kg and sustain shock of lateral movement.

The table will be built to be vibration free and provide stability and support for machine operation.

Levelling screws will be able to sustain above weight and stability requirements.

Design 2



ALL DIMENSIONS IN "INCHES"

DESIGN 2 : S.S.TABLE (60 X 24)

Design 3: Stainless steel trolley with granite top and inbuilt cabinet with lock.

Quantity: 2 nos.

Description:

Stainless steel trolley consisting of

1. A granite table top 20" x 20" made of 20mm thick black granite polished on the top side with edges and corners rounded.
2. A stainless steel frame of dimensions 20" x 20" x 30" (l x w x h)
 - a. The frame will be constructed of 1" x 1" stainless steel 304 pipe with square cross section and 1.5mm thick
 - b. Design of frame is attached.
 - c. Height of the frame will include wheels to roll the trolley around. Wheel diameter will be 2.5" and entire assembly no more than 5". The wheels will come with a locking function that is easy to operate and secure.
 - d. The frame consists of a cabinet 20" in height made of stainless steel sheet 3mm in thickness. The cabinet will come with a door on one side with a built in lock.

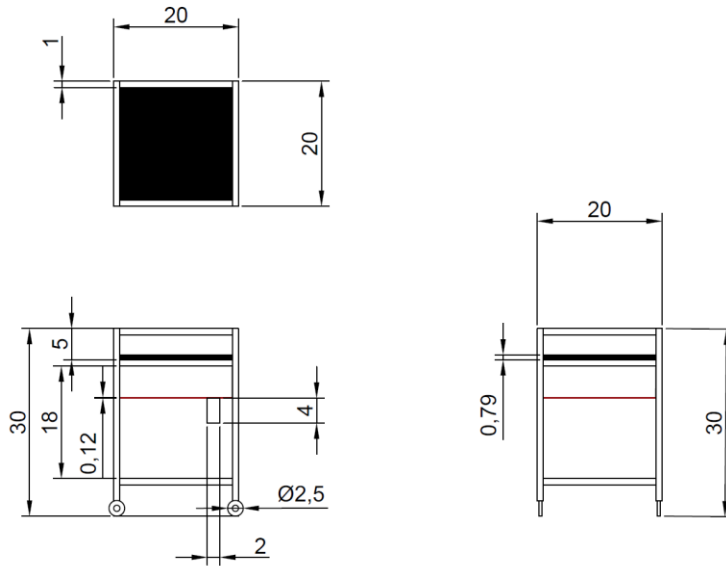
- e. A stainless steel shelf (shown in red in the drawing) will be provided 5" from the top of the cabinet. It will be removable, in case larger space is needed for storage.

The trolley will be capable of bearing a load of 100kg.

The trolley wheel will be capable of operating smoothly under above mentioned load.

The wheel locks will prevent movement of the trolley under the above mentioned load.

Design 3



ALL DIMENSIONS IN "INCHES"

DESIGN 3 : S.S. TROLLEY

General Specifications:

1. All stainless steel frames and parts provided will be free of dust, powder, and particles of any other sort.
2. All stainless steel frames and parts provided will be free of oil and grease.
3. Tables will not generate any particles, dust, powder, and grease during use.
4. All sharp corners will be rounded to prevent snagging and injury to user.
5. All welds will be ground to a smooth finish and mirror polish.
6. All free standing edges will be folded over to prevent injury due to sharp edges.
7. Cabinet doors and shelves will be made from stiff steel sheets to prevent warping and buckling.
8. Installation will be done by the vendor. Charges will be included in the financial bid.
9. All nuts bolts and other metal spare parts will be made from stainless steel.

Terms and conditions:

1. **Supplier/Vendors should submit technical and financial bids together in separately sealed envelopes.**
2. **Technical Bid should contain compliance statement of specifications and layout.**
3. **Please do mention tender number clearly on envelope**
4. **Pictures of all the items should include with the technical quotation**
5. **Evaluation will be done on the basis of technical specifications as per our tender notice**
6. **Financial bid will be open only for those, who meet tender specification.**
7. **Please send the name and contact details of the person to whom company had supplied a similar Items Committee may ask for the feedback.**
8. **Participants in the quotation process have the option of clarifying deviations to the specified design, construction or materials. Without such clarifications, sealed quotations to IIT Kanpur will be construed as being in total conformance to the requirements of the specification.**
9. **The Office furniture manufacturer shall provide work tops and casework all manufactured & shipped with proper packing & should take the full responsibility of the entire Scope of Works as specified in the tender.**
10. **Submit installation instructions for each type of casework.**
11. **Samples if called for will be reviewed for color, texture, and pattern only.**
12. **Maximum educational discounts should be provided.**
13. **Actual numbers of the components may be increased or decrease, payment will be made on the basic of actual numbers.**
14. **Standard comprehensive warranty and support should be three year.**
15. **Installation: the price should be inclusive of full installation on site with full functionality demonstration.**
16. **The bidder/OEM should have its own manufacturing/fabrication machinery and infrastructure facilities, which should preferably have automated cutting machines, bending machines, power presses, spot welding machines, anti-rust treatment facilities, powder coating facilities etc. in sufficient numbers.**
17. **Payment terms & condition is 70% against delivery, 30% after successful installation.**
18. **Advance payment will be made against bank guarantee.**
19. **Quotation should carry proper certifications like proprietary certificate, authorization certificate from manufacturer, etc.**
20. **Institute is exempted from payment of Excise Duty under notification No. 10/97.**
21. **The delivery period should be specifically stated. Earlier delivery may be preferred.**
22. **Quotes should have a minimum validity of 60 days**
23. **Quotes should be made FOR delivery to IIT Kanpur**
24. **The indenter reserves the right to withhold placement of final order. The right to reject all or any of the quotations and to split up the requirements or relax any or all of the above conditions without assigning any reason is reserved.**

Kindly send the quotation in sealed envelope latest by 2.00PM on 31/05/2016 to the following address;

**To,
Dr. Sudhindra Tatti
Room No.310,
Samtel Centre for Display Technologies (SCDT), Indian Institute of Technology Kanpur,
Kanpur – 208016, Uttar Pradesh, India
Contact No. 07880354333**