

Indian Institute of Technology Kanpur
Department of Industrial and Management Engineering

Enquiry No.: IITK/IME/Workstation/401
 Enquiry Date: 08/02/2018
 Closing Date: 01/03/2018
 Extended Closing Date: 12/03/2018

To,

M/S _____

Sub.: Purchase for Modular Workstation

We are interested in the purchase of **Modular Workstation** for Project No. 2017018 and 2017369. You are requested to send your sealed quotations for the below listed product, as per following specification (also indicated in attached diagrams). The envelope must be inscribed with “Quotations for **Modular Workstation**”.

S. No.	Product Description	Qty.
	Modular Workstation:	
	Consisting 45-mm extruded powder coated Aluminum sections, panel-based partition of minimum height 1200-mm having polyester fabric, soft pin up board, white marker board. Minimum 100-mm height of raceway on two levels for data & electrical wiring (one at skirting level and second just below the Worktop), 25-mm thick PLPB Worktop with PVC edge banding on all sides. Worktop supported by 25-mm thick laminated gable end and partition, mobile drawer unit (W)400 x (D)450 x (H)680mm having SS handles and EBCO channels along with each workstation.	
1	Workstation L-Type: Single Unit (P1+Q1+R1+S1+S2)*	12
	Break-Up: -	
	P1/P2 - Partition (W)1200 x (H)1200 x (TH)45mm	
	Q1/Q2 - Partition (W)1500 x (H)1200 x (TH)45mm	
	S1/S2/S3/S4 – Mild steel powder coated box-framed legs with min. 60mm width (as shown in diagram with Rectangular/Square/Triangular section), made of minimum 16-gauge material forming (W)600 x (H)750 mm legs of the tables supported with plastic covered screws for height adjustment.	
	R1/R2- PLPB Worktop board (W)1500/1200 x (D)600/600 x (TH) 25mm with metal circular/rectangular wire manager hole, Worktop supported by 750mm high, 25-mm thick laminated gable end and partition	
2	Workstation Linear: Single Unit (A1+B1+C1+D1)*	4
	Break-Up: -	
	A1 - Partition (W)1200 x (H)1200 x (TH)45mm	
	B1 - Partition (W)600 x (H)1200 x (TH)45mm	
	C1 - Mild steel powder coated box-framed legs with min. 60mm width (as shown in diagram with Rectangular/Square/Triangular section), made of minimum 16-gauge material forming (W)600 x (H)750 mm legs of the tables supported with plastic covered screws for height adjustment.	

	D1 - PLPB Worktop board (W)1200 x (D)600 x (TH) 25mm with metal circular/rectangular wire manager hole, Worktop supported by 750mm high, 25-mm thick laminated gable end and partition	
3	Workstation Linear: Single Unit (A2+B2+C2+D2)*	4
	Break-Up: -	
	A2 - Partition (W)1200 x (H)1200 x (TH)45mm	
	B2 - Partition (W)600 x (H)1200 x (TH)45mm	
	C2 - Mild steel powder coated box-framed legs with min. 60mm width (as shown in diagram with Rectangular/Square/Triangular section), made of minimum 16-gauge material forming (W)600 x (H)750 mm legs of the tables supported with plastic covered screws for height adjustment.	
	D2 - PLPB Worktop board (W)1200 x (D)600 x (TH) 25mm with metal circular/rectangular wire manager hole, Worktop supported by 750mm high, 25-mm thick laminated gable end and partition.	
4	Workstation Linear: Single Unit (A2+B1+B2+D2)*	1
	Break-Up: -	
	A2 - Partition (W)1200 x (H)1200 x (TH)45mm	
	B1 - Partition (W)600 x (H)1200 x (TH)45mm	
	B2 - Partition (W)600 x (H)1200 x (TH)45mm	
	D2 - PLPB Worktop board (W)1200 x (D)600 x (TH) 25mm with metal circular/rectangular wire manager hole, Worktop supported by 750mm high, 25-mm thick laminated gable end and partition.	
5	Mobile Drawer Unit*	21
	Break-Up: -	
	(W)400 x (D)450 x (H)680mm	
	PLPB, three drawer units having single lock system, SS handles, EBCO channels, Hettich drawer lock, four side overhangs to hide wheels partially.	

Note: * - See attached diagram for itemized details.

Terms and Conditions:

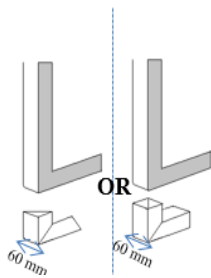
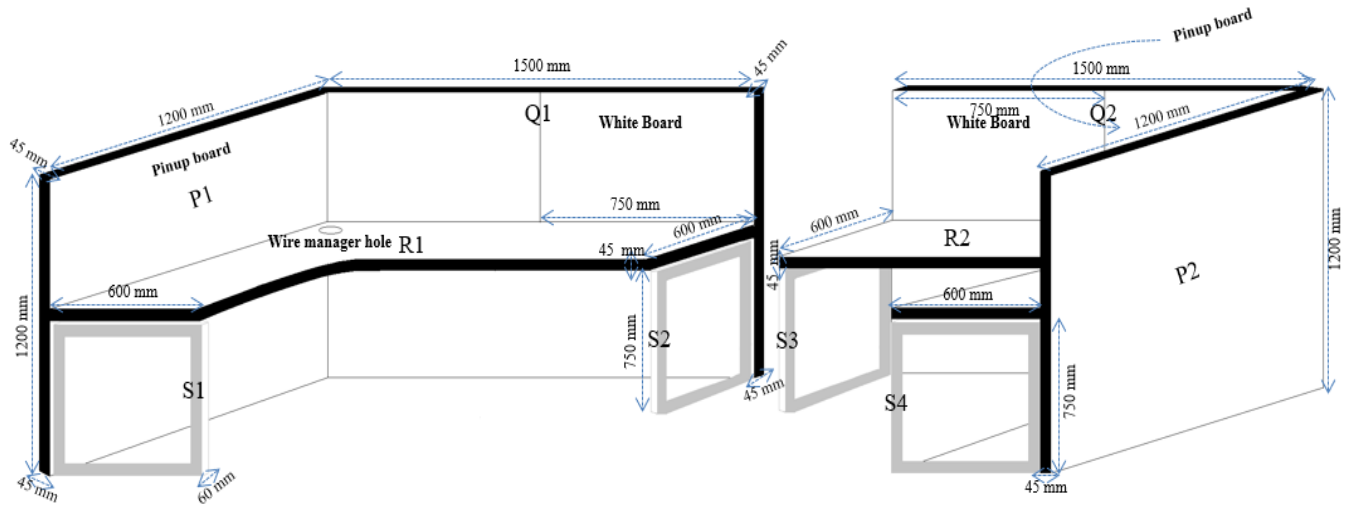
1. Your quotation should contain Authorization Letter from the manufacturer.
2. Quotation must be valid for 60 days.
3. Delivery period should not be more than **8 weeks**.
4. The vendor/supplier/manufacturer should have a proven record of having supplied similar furniture to IIT Kanpur or other institutions. A copy of recent such order should be enclosed.
5. Any design adjustment, if necessary, would be communicated to all parties submitting their quotations.
6. The manufacturer of the furniture supplied should have BIFMA or equivalent certification.
7. Colour/Shade of Laminate/Fabric to be discussed and finalized after award of tender.
8. All the major preparation work has to be carried out at off-site locations. Some final finishing work can be performed on the site.
9. **Catalogue/Photographs** of furniture may preferably be enclosed along with quotations.
10. The quotations should give the total cost inclusive of installation, labour and transportation charges.
11. Taxes should be shown separately.
12. Any charges, additional to those listed in the quotation have to be borne by the supplier.
13. The products supplied and installed should have a 3-year on-site warranty.
14. The products warranty should take care all damages occurring during normal use.
15. The Institute reserves the right of accepting and rejecting any quotation without assigning any reason thereof.
16. Our standard payment terms & condition is 90% against delivery and satisfactory installation, and 10% after inspection and approval.
17. IITK is exempted from excise/custom duty.

Kindly send your quotation on or before 1st March, 2018 to the following Address:

Dr. Anoop Singh,
Associate Prof.
Dept. of Industrial and Management Engineering,
Indian Institute of Technology Kanpur,
Uttar Pradesh, PIN 208016 India

Phone: 0512-333-6448

Workstation L-Type: Single Unit (P1+Q1+R1+S1+S2)



Single unit : P1+Q1+R1+S1+S2

P1/P2 : (W)1200 x (H)1200 x (TH)45

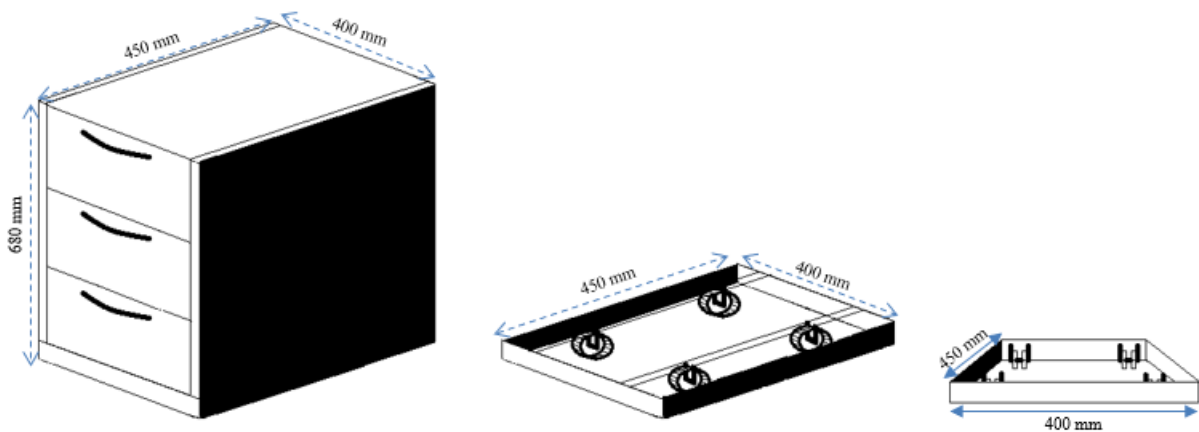
Q1/Q2 : (W)1500 x (H)1200 x (TH)45

S1/S2/S3/S4 (Metallic) : (W)600 x (H)750 x (TH) 60

R1/R2 : (W)1500/1200 x (D)600/600 x (TH)25

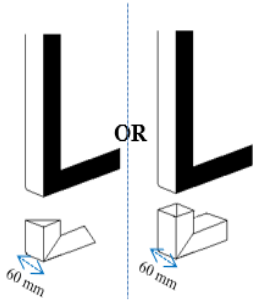
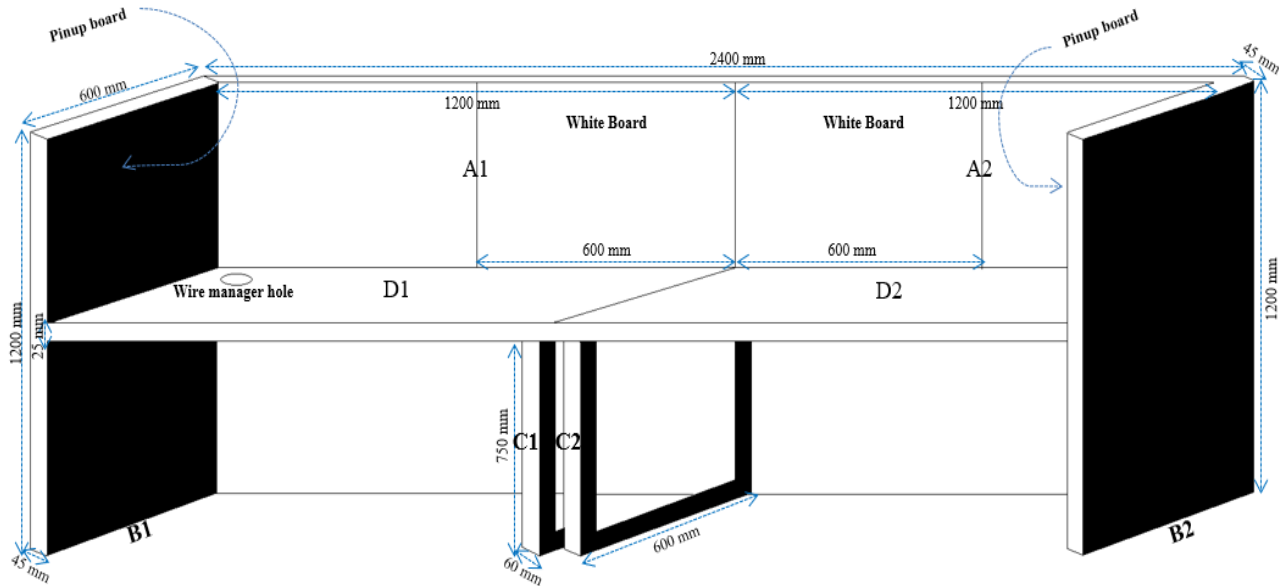
All dimensions are in mm

Mobile Drawer Unit:



Workstation Linear: Single Unit (A1+B1+C1+D1)

Workstation Linear: Single Unit (A2+B2+C2+D2)



Single unit : (A1+B1+C1+D1)/ (A2+B2+C2+D2)

- A1/A2 : (W)1200 x (H)1200 x (TH)45
- B1/B2 : (W)600 x (H)1200 x (TH)45
- C1/C2 (Metallic) : (W)600 x (H)750 x (TH) 60
- D1/D2 : (W)1200 x (D)600 x (TH)25

All dimensions are in mm