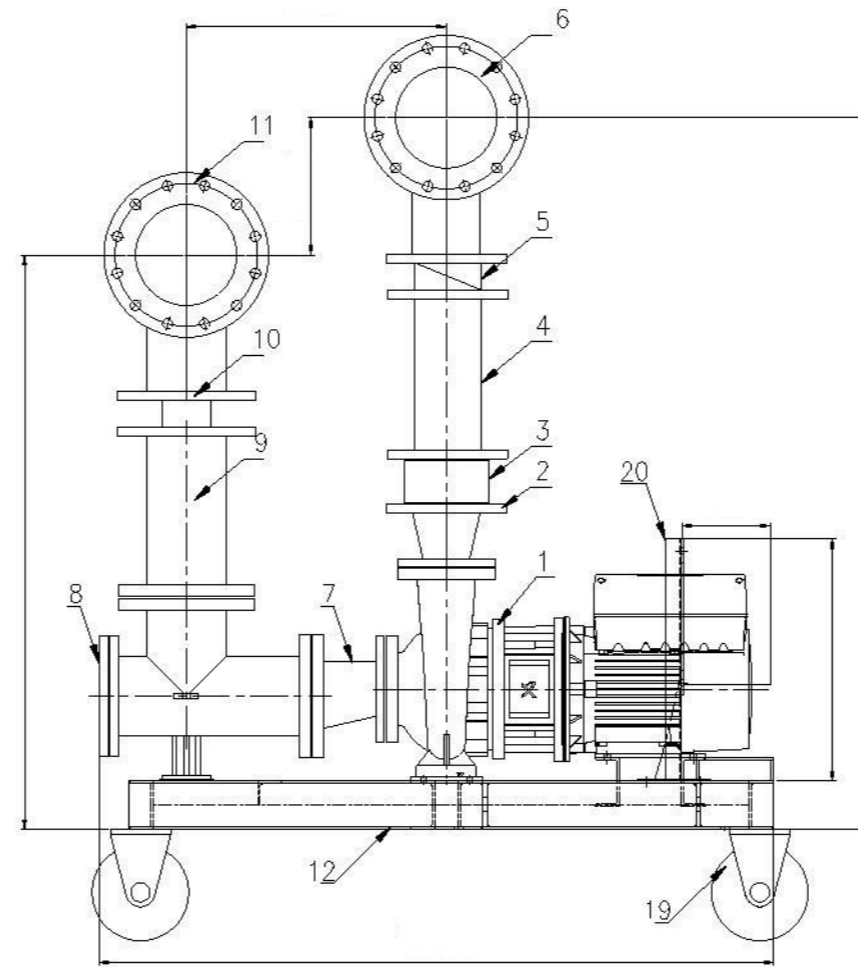


ELEVATION



SIDE VIEW

20	Panel Stand	1
19	Trolley Wheel (200 Kg Cap/Wheel)	2
18	Pipe-Support	2
17	Dummy Flange-Delivery	1
16	Dummy Plug	1
15	Dummy Flange-suction	1
14	Pressure Gauge	1
13	Pressure Transmitter	1
12	Base frame With Wheel	1 Skid
11	Suction Manifold	1
10	Butterfly Valve-Suction	2
09	Spool Pipe-Suction	2
08	Suction Diffuser (Manifold)	2
07	Eccentric Expander-Suction	2
06	Delivery Manifold	1
05	Butterfly Valve-Delivery	2
04	Spool Pipe-Delivery	2
03	Non Return Valve-Delivery	2
02	Concentric Expander-Delivery	2
01	NBE 20-200_7.5kW_4P	2
S.No	DESCRIPTION	Qty

INDICATIVE DRAWING OF SKID MOUNTED PUMP (Dimensions are not to scale)

Name of project **Supply, installation, testing & commissioning of Water Cooled Central AC plant of capacity 3200 TR (4 nos. centrifugal Chillers each of capacity 800 TR) in IIT Kanpur.**

Drawng No. :- **04**